

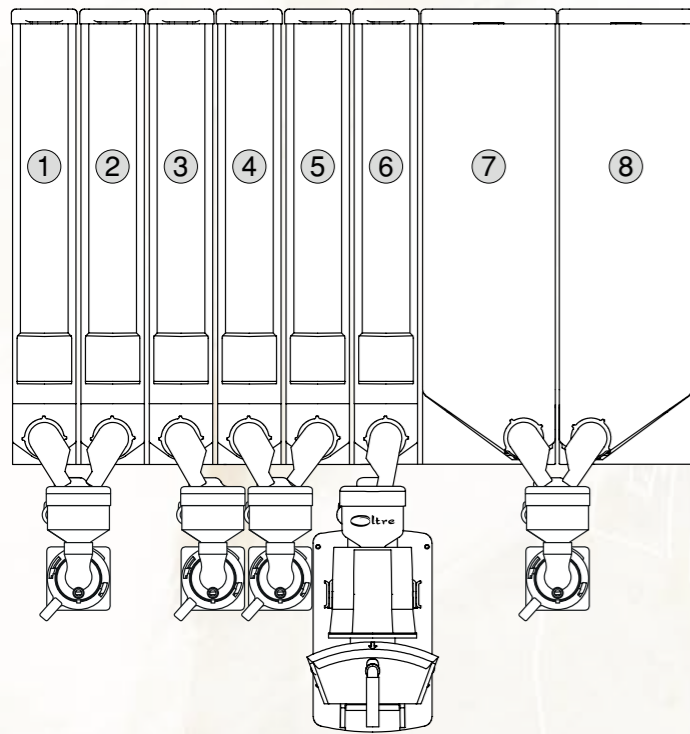
## Canister Layouts & Menu



**Single Freshbrew Tea (S01)**

**Drinks Menu**

- Freshly Brewed Tea
- Instant Coffee
- Cappuccino
- Caffe Latte
- Caffe Mocha
- Americano
- Flat White Coffee
- Espresso
- Chocomilk
- Hot Chocolate
- Decaf. Instant Coffee
- Decaf. Cappuccino
- Decaf. Caffe Latte
- Decaf. Caffe Mocha
- Decaf. Americano
- Decaf. Flat White Coffee
- Soup
- Hot Water

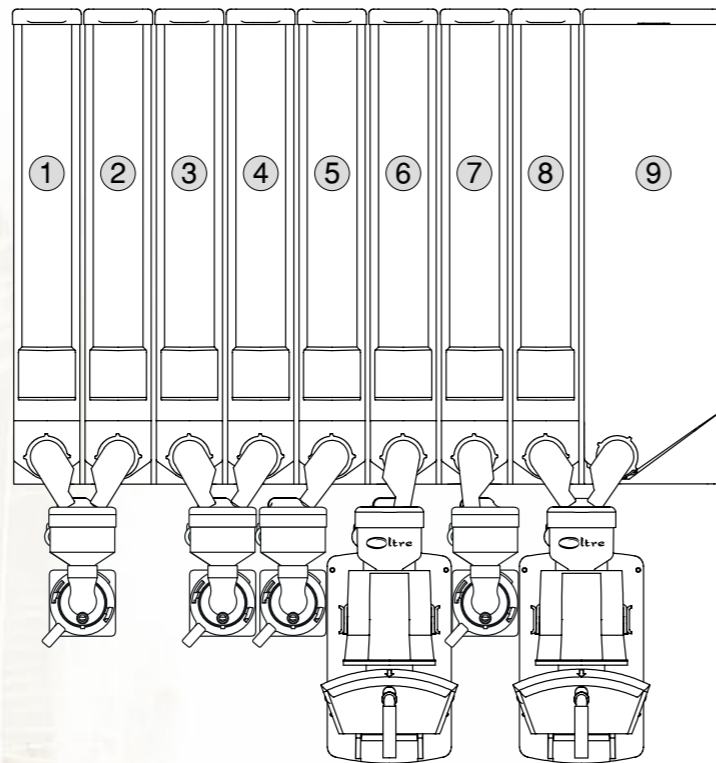


- Ingredients**
1. Sugar - 3.4kg
  2. Milk - 2.5kg
  3. Soup
  4. Instant Coffee - 1.0kg
  5. Instant Decaf Coffee - 1.0kg
  6. Fresh Leaf Tea - 1.7kg
  7. Cappuccino Milk - 4.7kg
  8. Chocolate - 5.8kg

**Triple Freshbrew (T01)**

**Drinks Menu**

- Freshbrew Coffee
- Freshbrew Cappuccino
- Freshbrew Latte
- Freshbrew Mocha
- Freshbrew Americano
- Freshbrew Flat White Coffee
- Freshbrew Espresso
- Freshly Brewed Tea
- Decaf. Coffee
- Decaf. Cappuccino
- Decaf. Caffe Mocha
- Decaf. Americano
- Chocomilk
- Instant Coffee
- Cappuccino
- Caffe Latte
- Caffe Mocha
- Americano
- Flat White Coffee
- Espresso
- Hot Chocolate
- Decaf. Flat White Coffee
- Decaf. Caffe Latte
- Decaf. Espresso
- Soup
- Hot Water



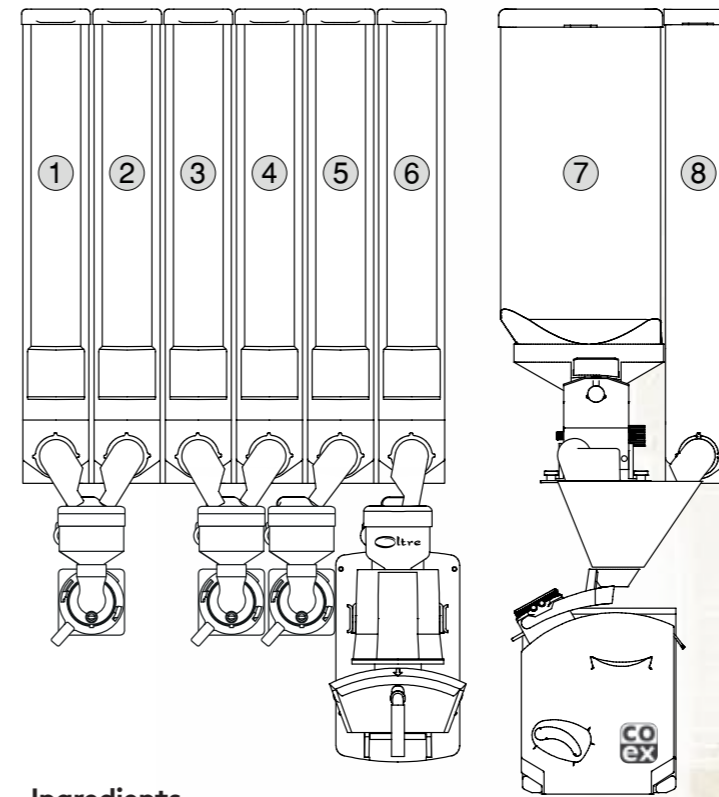
- Ingredients**
1. Sugar - 3.4kg
  2. Milk - 2.5kg
  3. Cappuccino Milk - 2.2kg
  4. Chocolate - 2.7kg
  5. Soup
  6. Fresh Leaf Tea - 1.7kg
  7. Instant Coffee - 1.0kg
  8. Freshbrew Decaf Coffee - 1.5kg
  9. Freshbrew Coffee - 3.3kg

**Espresso + Freshbrew Tea (E05)**

**Drinks Menu - Soup Option**

- Freshly Brewed Tea
- Americano - from beans\*
- Flat White - from beans\*
- Cappuccino - from beans\*
- Caffe Latte - from beans\*
- Caffe Mocha - from beans\*
- Espresso - from beans\*
- Double Espresso - from beans\*
- Espresso Macchiato - from beans\*
- Hot Chocolate
- Decaf. Americano - from R&G\*
- Decaf. Flat White - from R&G\*
- Decaf. Cappuccino - from R&G\*
- Decaf. Caffe Latte - from R&G\*
- Decaf. Caffe Mocha - from R&G\*
- Chocomilk
- Soup
- Hot Water

\*Selection produced at 10 bar pressure

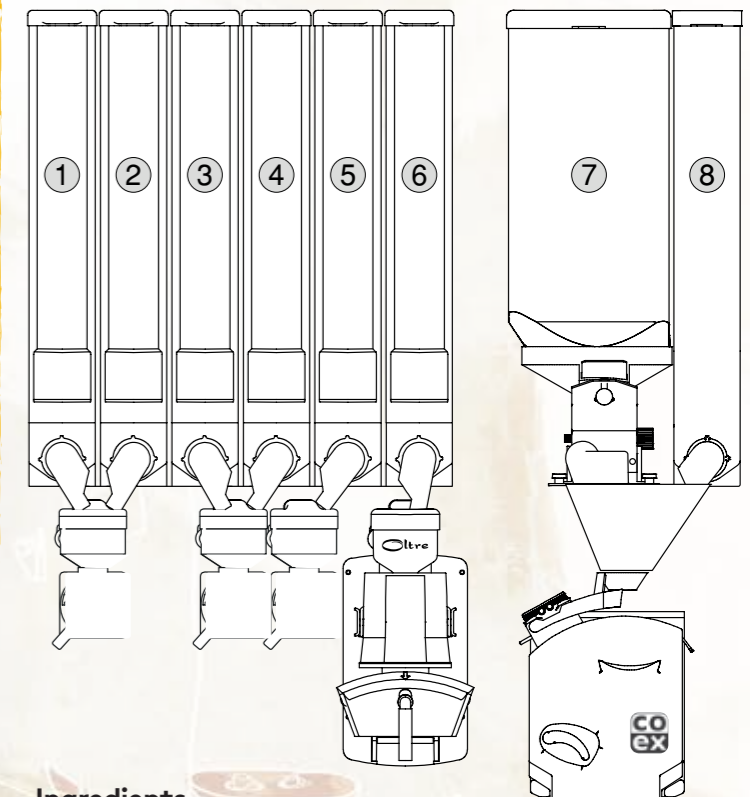


- Ingredients**
1. Sugar - 3.4kg
  2. Milk - 2.5kg
  3. Cappuccino Milk - 2.2kg
  4. Chocolate - 2.7kg
  5. Soup
  6. Fresh Leaf Tea - 1.7kg
  7. Fresh Coffee Beans - 3.5kg
  8. Decaf Ground Coffee - 1.5kg

**Espresso + Freshbrew Tea (E18)**

**Drinks Menu - Instant Coffee Option**

- Freshly Brewed Tea
- Americano - from beans\*
- Flat White - from beans\*
- Caffe Latte - from beans\*
- Caffe Mocha - from beans\*
- Cappuccino - from beans\*
- Espresso - from beans\*
- Double Espresso - from beans\*
- Espresso Macchiato - from beans\*
- Instant Coffee
- Cappuccino
- Hot Chocolate
- Decaf. Americano - from R&G\*
- Decaf. Flat White - from R&G\*
- Decaf. Caffe Latte - from R&G\*
- Decaf. Caffe Mocha - from R&G\*
- Decaf. Cappuccino - from R&G\*
- Caffe Latte
- Caffe Mocha
- Chocomilk
- Hot Water



- Ingredients**
1. Sugar - 3.4kg
  2. Milk - 2.5kg
  3. Cappuccino Milk - 2.2kg
  4. Chocolate - 2.7kg
  5. Instant Coffee - 1.0kg
  6. Fresh Leaf Tea - 1.7kg
  7. Fresh Coffee Beans - 3.5kg
  8. Decaf Ground Coffee - 1.5kg

## Cold Drinks Menu (Optional)

### Still Only

- Cold Water

### Still + 2 Syrups

- Cold Water
- Cold Drink Flavour 1
- Cold Drink Flavour 2

### Sill + Carbonated

- Cold Water
- Still Water
- Sparkling Water

### Sill + Carbonated

- Cold Drink Flavour 1
- Still Water
- Sparkling Water

### Sill + Carbonated

- Cold Drink Flavour 2
- Still Water
- Sparkling Water

## Oltre Brewer Inside



Voce Media freshbrew & Espresso models incorporate the patented Oltre brewer, providing a terrific opportunity to increase sales through great tasting tea and coffee beverages.

- Highest quality freshly brewed tea & coffee beverages
- Operator friendly, easy to clean and service in less time
- Paperless, reduces waste and eliminates 'out of paper' visits
- Continuous mesh filter, lasts a minimum of 5000 vends
- Industry leading reliability – tested to over 4 million vends

## Co-Ex Brewer Inside



Voce Media Espresso models incorporate the Co-Ex® brewer, producing the highest quality espresso based beverages. Bring coffee shop menus to your office or work-place and enjoy Espresso, Cappuccino, and Latte selections, brewed fresh from beans ground on demand, or made from espresso roast and ground coffee.

- Coffee shop quality coffee selections brewed at high pressure
- Large menu choice - consumer satisfaction guaranteed
- Operator friendly, easily removed for cleaning

**CRANE** MERCHANDISING SYSTEMS

Pipsmore Park | Bumpers Farm Ind. Est. | Chippenham | Wiltshire | SN14 6NQ

t: +44 (0)1249 444807 f: +44 (0)1249 444819

e. sales@cranems.co.uk w. www.cranems.co.uk